



Partslist

Paper Feeder

PF 520

PF 530

Partslist

Paper Feeder

PF 520

PF 530

—— CONTENTS ——

FIG. 1	Paper Feed Section	2
FIG. 2	Paper Cassette	4

FIG. 1 Paper Feed Section

3M9/3NA

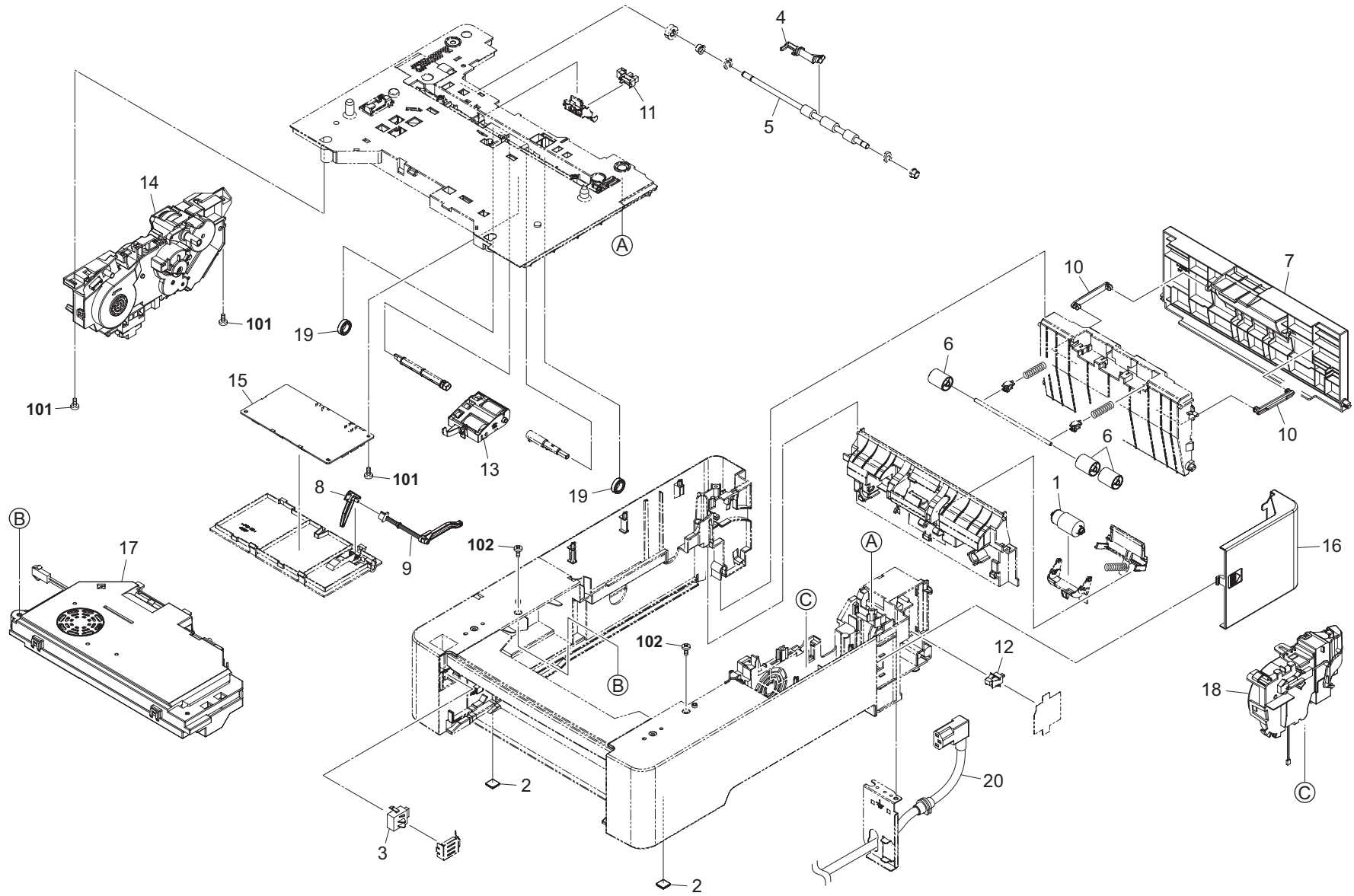


FIG. 1 Paper Feed Section

3M9/3NA

Ref. No.	Part.No.	Alternative Part.No.	Description	Quantity		
				120	230	240
1	302F909171	2F909171	RETARD ROLLER ASSY	1	1	1
2	302HN02611	2HN02611	FOOT	2	2	2
3	302HN44180	2HN44180	SWITCH SIZE	1	1	1
4	303K806030	3K806030	ACTUATOR FEED	1	1	1
5	303K806080	3K806080	ROLLER MIDDLE ASSY	1	1	1
6	303K809130	3K809130	PULLEY MID IDLE	3	3	3
7	303NA04010	3NA04010	COVER REAR	1	1	1
8	303NA06040	3NA06040	ACTUATOR PE	1	1	1
9	303NA06050	3NA06050	ACTUATOR PE RELEASE	1	1	1
10	3A504020	3A504020	COUPLER,RELEASE	2	2	2
11	7NXSG2481+++H01	NX052600	SENSOR OPT.	1	1	1
12	7SP01000001+H01	SP044290	SW.PUSH	1	1	1
13	303K894020	3K894020	HOLDER FEED ASSY SP	1	1	1
14	303M994060	3M994060	PARTS DRIVE ASSY SP	1	1	1
15	303M994010	3M994010	PARTS PWB PF MAIN ASSY SP (PF 530)	1	1	1
15	303NA94010	3NA94010	PARTS PWB PF MAIN ASSY SP (PF 520)	1	1	1
16	303M994070	3M994070	PARTS COVER CORD SET (PF 530)	1	1	1
16	303NA04030	3NA04030	COVER CORD (PF 520)	1	1	1
17	303M994020	3M994020	PARTS TOP HEATER 100 ASSY SP (PF 530)	1		
17	303M994030	3M994030	PARTS TOP HEATER 200 ASSY SP (PF 530)		1	1
18	303M994040	3M994040	PARTS SIDE HEATER 100 ASSY SP (PF 530)	1		
18	303M994050	3M994050	PARTS SIDE HEATER 200 ASSY SP (PF 530)		1	1
19	303M906060	3M906060	PULLEY FEED SIDE (PF 530)	2	2	2
20	303M946100	3M946100	AC CORD JOINT 120 (PF 530)	1		
20	303M946110	3M946110	AC CORD JOINT 230 (PF 530)		1	1
101	7BB202308H	BB105690	+TP-FLAT T.T P SCREW 3X8			
102	7BB200410H	BB105700	+BIND T.T P SCREW 4X10			

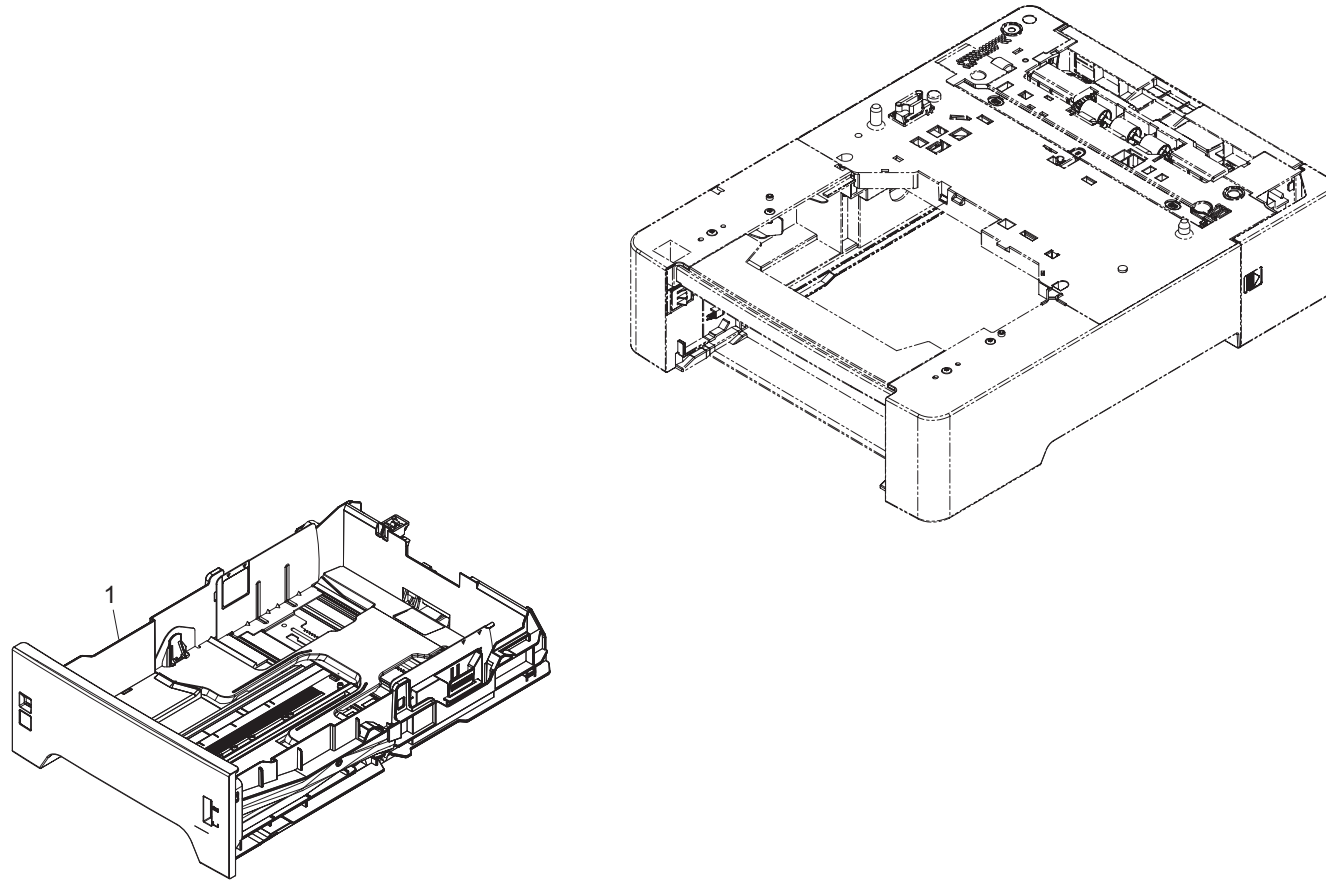


FIG. 2 Paper Cassette

3M9/3NA

Ref. No.	Part.No.	Alternative Part.No.	Description	Quantity		
				120	230	240
1	303M993010	3M993010	CT-593 (PF 530)	1	1	1
1	303NA93010	3NA93010	CT-592 (PF 520)	1	1	1